

# Ring Pump®

## RP-W II Series



### Features

- Toughest and long life pump among lineup of our ringpump.

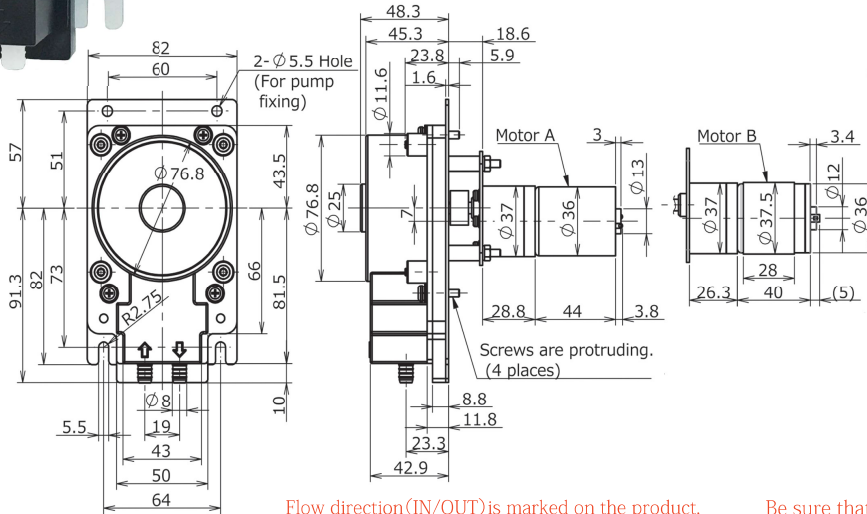
### Examples of application

Big sized printers and many other applications where toughness and long life is required.

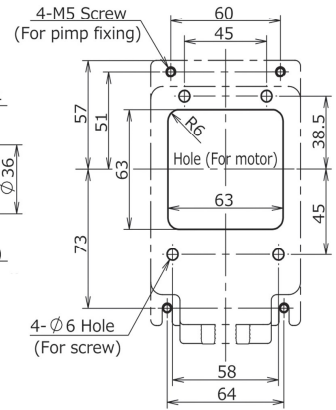
### Main specifications

Flow rate (mL/min) ※	350 500 700
Tubing	PharMed
Motor/Power source	DC24V
Material of main parts	Base: PBT Cover: ABS
Weight (for reference)	Approx. 850g

### 【Outline view】



### 【Mounting plate view】



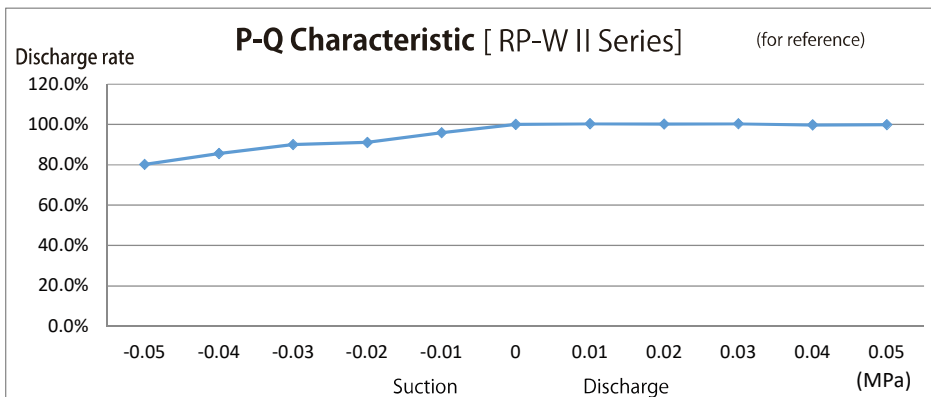
Flow direction (IN/OUT) is marked on the product.

Be sure that the motor shaft position is horizontal.

## Model Lineup

Model Lineup	Voltage (DC/V)	Flow rate (mL/min)	Tubing		Remarks	
			Type	ID/OD (mm)	Motor Type	Motor Rotation
RP-W II 04 F -350Z-DC24V	24	350	PharMed(F)	4.0×8.0	A	CW
RP-W II 04F-500Z-DC24V	24	500	PharMed(F)	4.0×8.0	A	CW
RP-W II 04F-700Z-DC24V	24	700	PharMed(F)	4.0×8.0	B	CW

PharMed : product of Saint-Gobain SA



※ Variable by material or ID of tubing.

MPa	-0.05	-0.04	-0.03	-0.02	-0.01	0	0.01	0.02	0.03	0.04	0.05
Discharge rate	80.2%	85.6%	89.9%	91.0%	95.9%	100.0%	100.3%	100.1%	100.3%	99.7%	99.9%