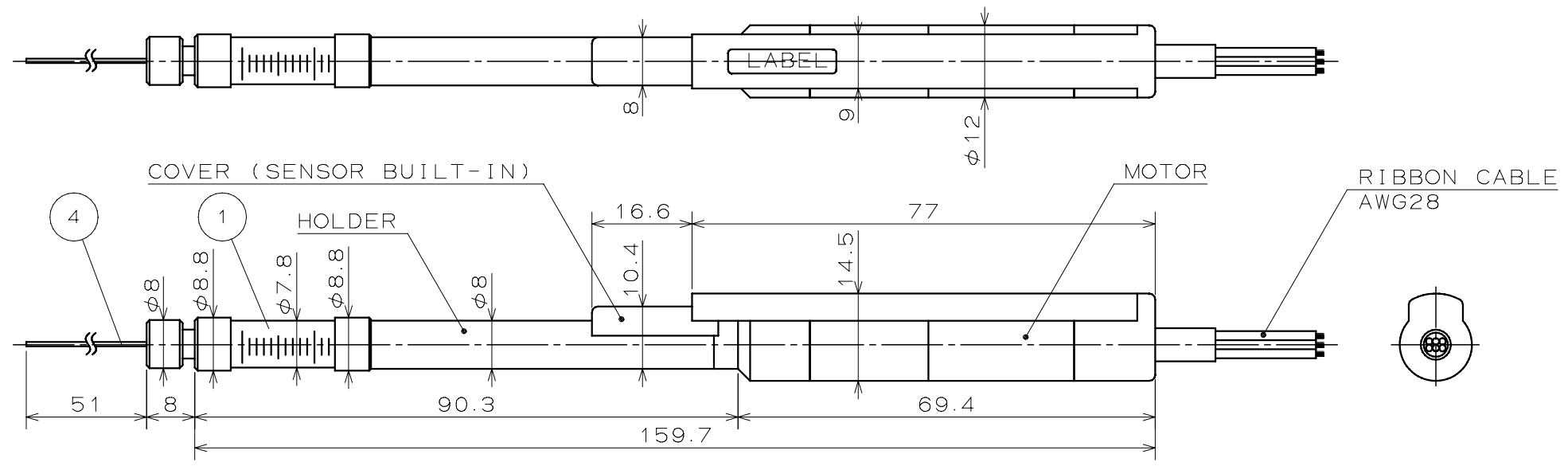


FOR REFERENCE ONLY



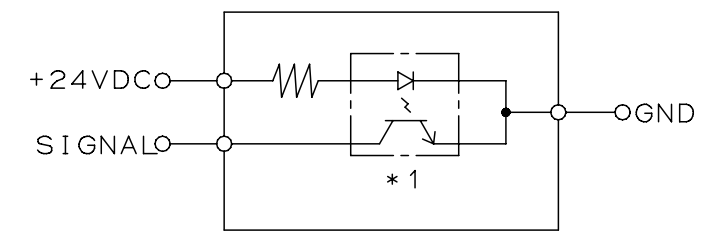
PEN TYPE GLASS SYRINGE PUMP

SPECIFICATIONS for MODEL SBP-100G-N

- SYRINGE CAPACITY : 100 μ l
- FULL STROKE : 12mm (9.600 STEPS)
- RESOLUTION (FULL STEP DRIVING) : 10.5nl (THEORETICAL RESOLUTION)
- ACCURACY : $\pm 10\%$ (FULL STROKE, BACKLASH COMPENSATED)
- REPEATABILITY (CV) : 1% (FULL STROKE, BACKLASH COMPENSATED)
- * PRESSURE : 100kPa
- NEEDLE SIZE : 22G
- FLUID MEDIA : LIQUIDS CHEMICALLY COMPATIBLE WITH MATERIALS BELOW
- * MEDIA TEMPERATURE RANGE : 15 ~ 40 $^{\circ}$ C
- * AMBIENT TEMPERATURE RANGE : 15 ~ 40 $^{\circ}$ C
- MOTOR : BIPOLAR TYPE 2 PHASE STEPPER MOTOR
4.4 Ω /PHASE, 2.6mH/PHASE
- * MAXIMUM CURRENT : 0.2A (CONSTANT CURRENT CONTROL)
- * DUTY CYCLE (REFERENCE) : CONTINUOUS

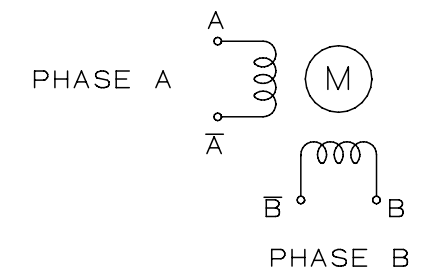
DIELECTRIC STRENGTH : 200VDC

NOTE: THE SPECIFICATIONS MARKED WITH * ARE PROVISIONAL UNTIL VERIFIED BY PROTOTYPE.



SCHMATIC DIAGRAM

*1: PHOTOINTERRUPTER RPI-0226 (Rohm)



MOTOR WIRING DIAGRAM

WETTED MATERIALS

Δ			5	SEAL	PTFE	1	
Δ			4	NEEDLE	STAINLESS STEEL	1	
Δ			3	TIP	PTFE	1	
Δ			2	SEAL	PTFE	1	
SYM.	DATE	DESCRIPTION	1	BARREL	BOROSILICATE GLASS	1	
REVISION			PART NO.	PART NAME	MATERIAL	REQD.	NOTE
SCALE	APPROVED	CHECKED	DRAWN	SOLENOID VALVE SBP-100G-N		DRAWING NO	
1/1						12036-00-0	
A 3							